

FH1002

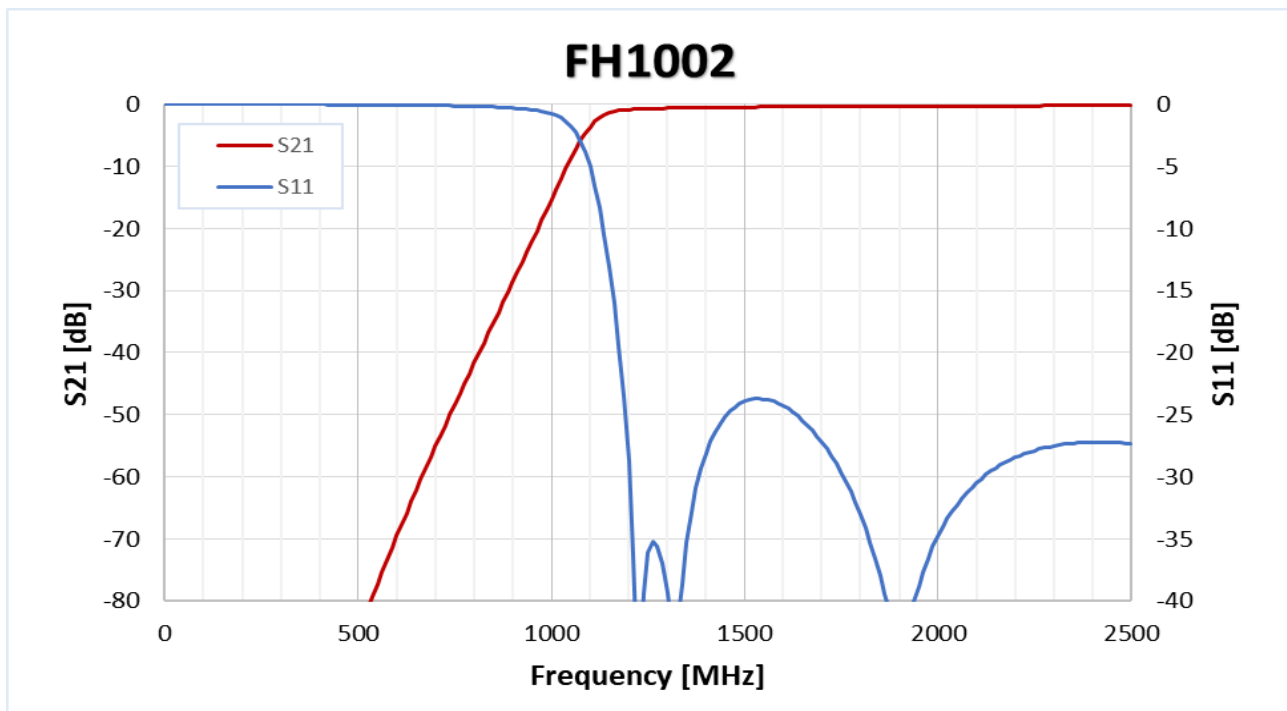


1200 MHz HIGHPASS FILTER



DESCRIPTION

FH1002 is a general purpose 1200MHz high pass filter. It's a lumped element filter housed in a standard Asartech FG1002 housing, i.e., 39.25x16.7x11mm aluminum box. The input and output connectors are standard SMA. The unit can be used for filtering out GSM signals as well as a good fit for low order Nyquist zones of anti-alias filtering of ultra-high-speed ADCs.

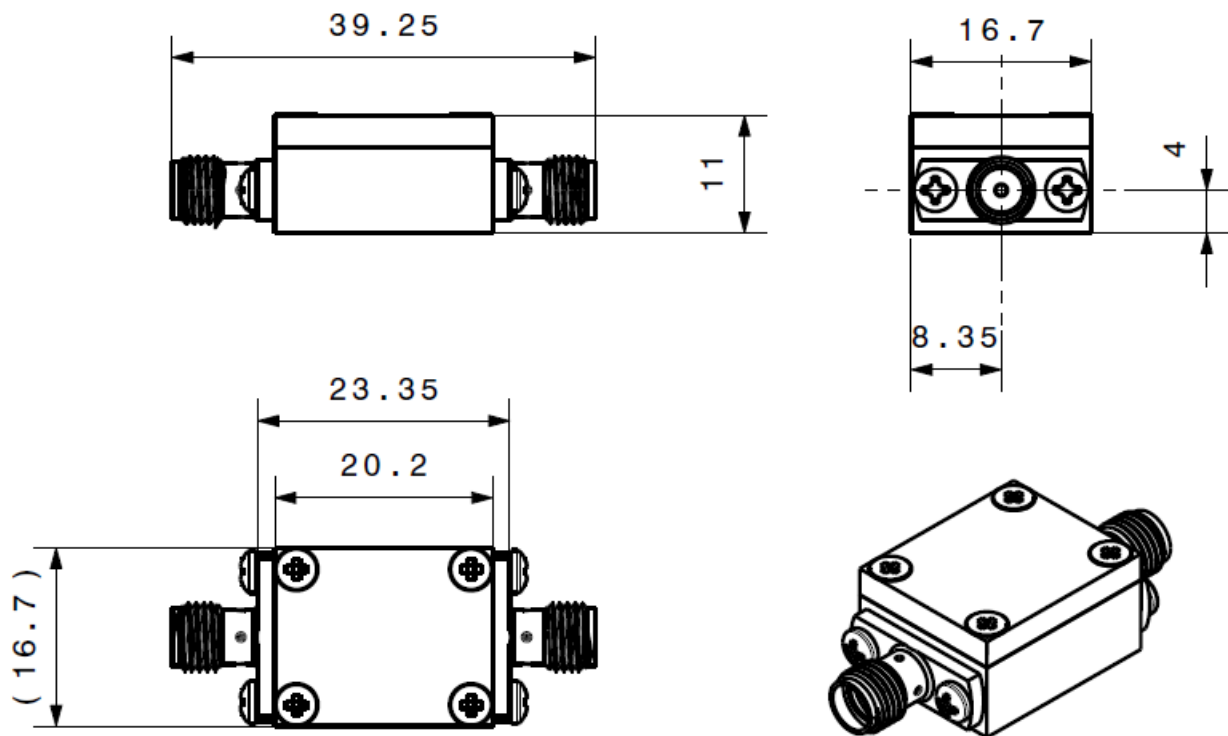


SPECIFICATIONS

	Parameter	Frequency Range	Min	Typ	Max
Passband	Insertion Loss	1200-3000 MHz		0.8dB	1.2dB
	Return Loss	1200-3000 MHz		20dB	16dB
	Power Handling	1200-3000 MHz			5W
Stopband	Attenuation	DC - 800MHz	35dB	40dB	

Other specifications available upon request.

MECHANICAL



Designed and Manufactured in TÜRKİYE

ASARTECH ARGE TASARIM MÜHENDİSLİK

Sanayi Mahallesi, Teknopark Bulvarı, Teknopark İstanbul 1/1A Blok Zemin Kat No:215-216-217, 34906 Pendik, İSTANBUL/TURKİYE
Phone: 0(216) 514 57 97 Fax:0 (216) 514 57 97

Üniversiteler Mahallesi, 1596. Cadde Hacettepe Teknokent 4. ARGE Binası 95A Kat:3 No:50, 06800 Beytepe Çankaya
ANKARA/TÜRKİYE Phone: 0(312) 227 00 37

www.asartech.com.tr
info@asartech.com.tr

IMPORTANT

- Specifications subject to change without further notice.
- Data given in this document provides its typical performance. Actual device performance is guaranteed by specifications called out by “customer-specific” part number and the associated acceptance test procedure.