

FL1003



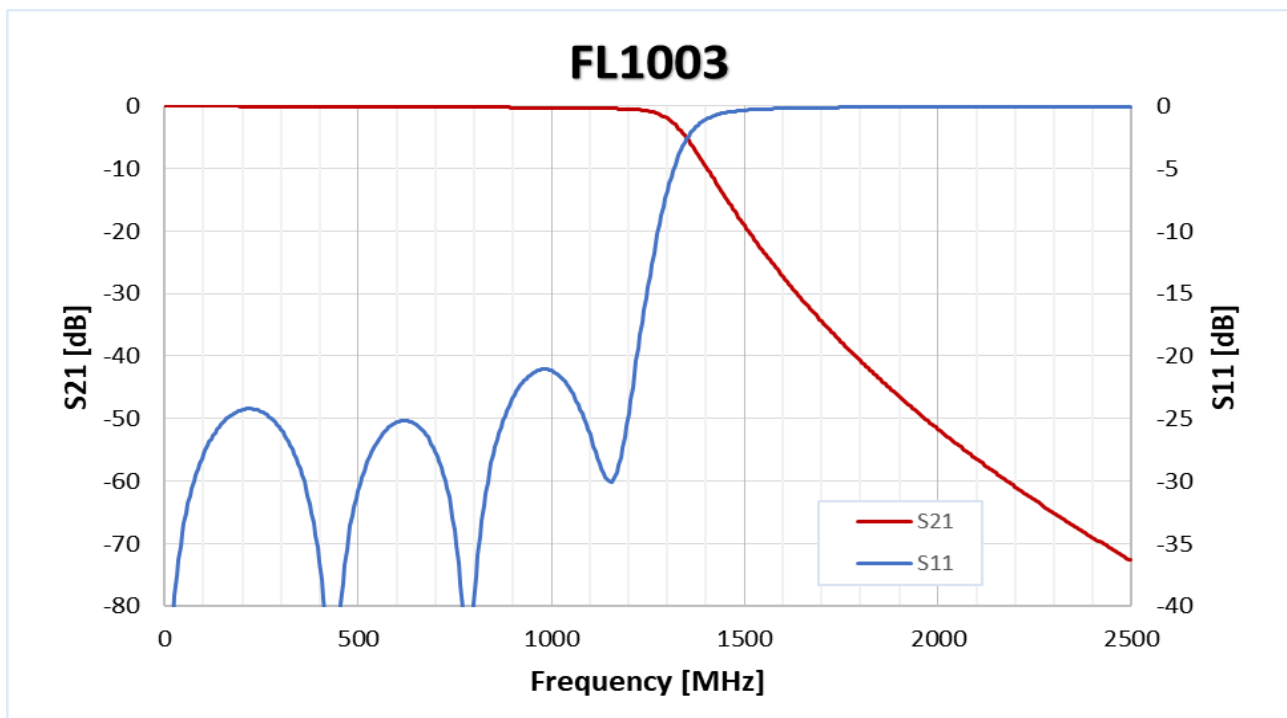
1200 MHz LOWPASS FILTER



DESCRIPTION

FL1003 is a general purpose 1200MHz lowpass filter. It's a lumped element filter housed in a standard Asartech FG1002 housing, i.e., 39.25 x 16.7 x 11mm aluminum box.

The input and output connectors are standard SMA. The unit can be used for various applications including anti-alias filtering for ultra-high-speed ADCs.

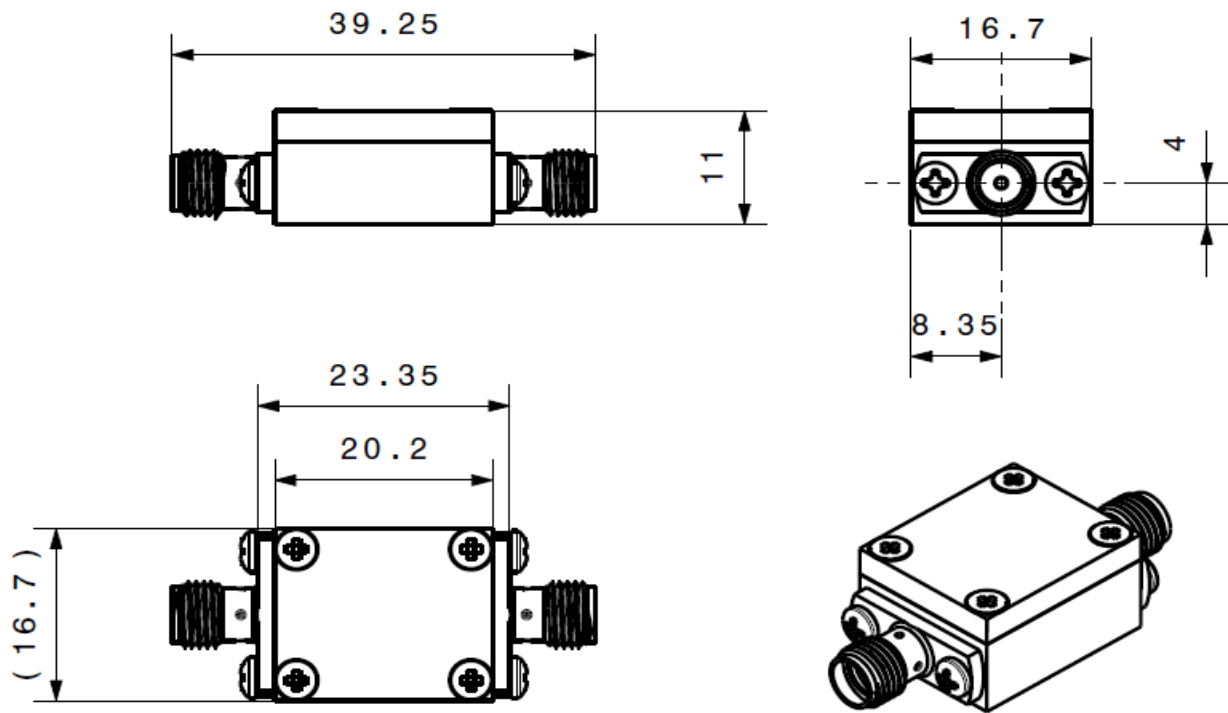


SPECIFICATIONS

Parameter		Frequency Range	Min	Typ	Max
Passband	Insertion Loss	DC – 1200 MHz		0.5dB	1.0dB
	Return Loss	DC – 1200 MHz		20dB	16dB
	Power Handling	DC – 1200 MHz			5W
Stopband	Attenuation	1800 – 3000 MHz	40dB	45dB	

Other specifications available upon request.

MECHANICAL



Designed and Manufactured in TÜRKİYE

ASARTECH ARGE TASARIM MÜHENDİSLİK

Sanayi Mahallesi, Teknopark Bulvarı, Teknopark İstanbul 1/1A Blok Zemin Kat No:215-216-217, 34906 Pendik, İSTANBUL/TURKİYE
Phone: 0(216) 514 57 97 Fax:0 (216) 514 57 97

Üniversiteler Mahallesi, 1596. Cadde Hacettepe Teknokent 4. ARGE Binası 95A Kat:3 No:50, 06800 Beytepe Çankaya
ANKARA/TÜRKİYE Phone: 0(312) 227 00 37

www.asartech.com.tr
info@asartech.com.tr

IMPORTANT

- Specifications subject to change without further notice.
- Data given in this document provides its typical performance. Actual device performance is guaranteed by specifications called out by “customer-specific” part number and the associated acceptance test procedure.