

FL2001



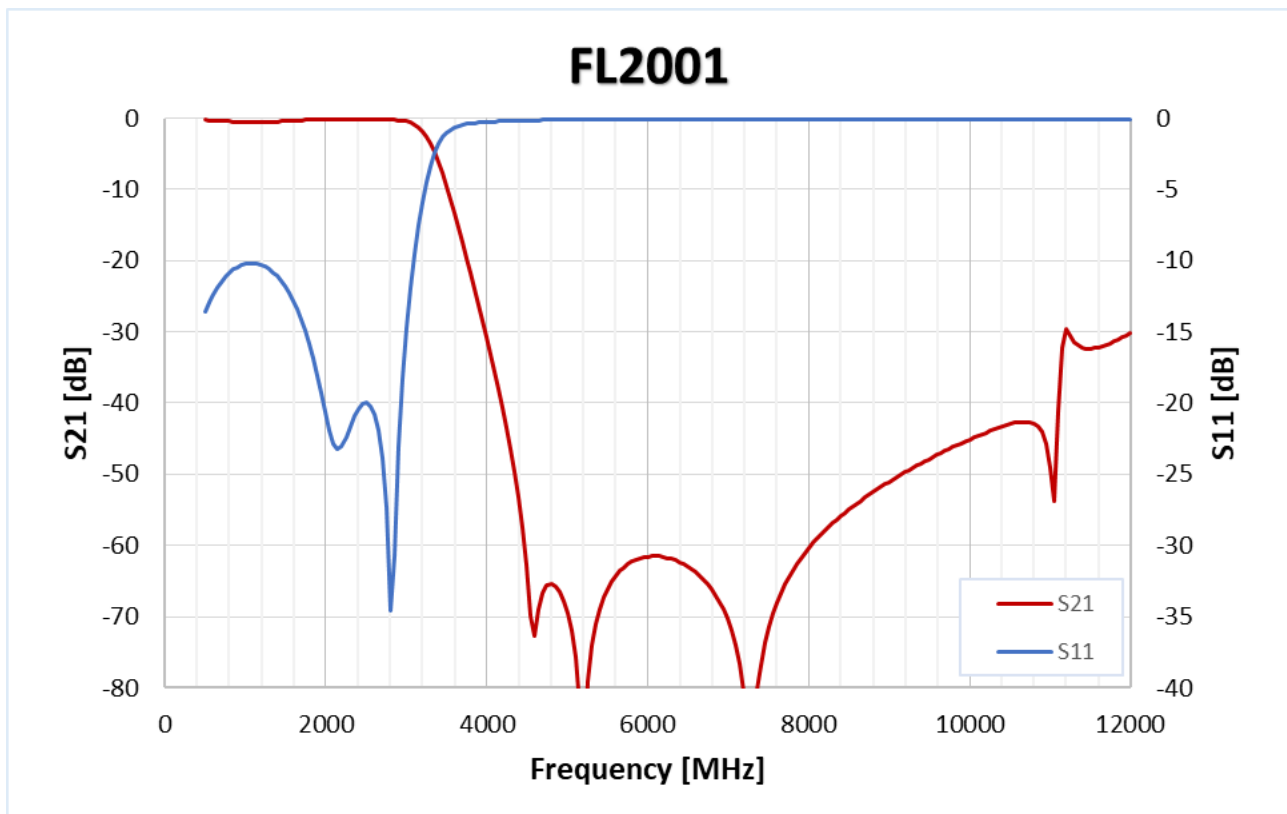
HIGH POWER 2850 MHz LOWPASS FILTER



DESCRIPTION

FL2001 is a 2850MHz harmonic lowpass filter. It's a distributed element filter housed in a 45.25 x 16.1 x 11mm aluminum box (inc connectors).

The input and output connectors are standard SMA. The unit is intended for filtering out harmonics and spuri of 2.4GHz PA drivers.

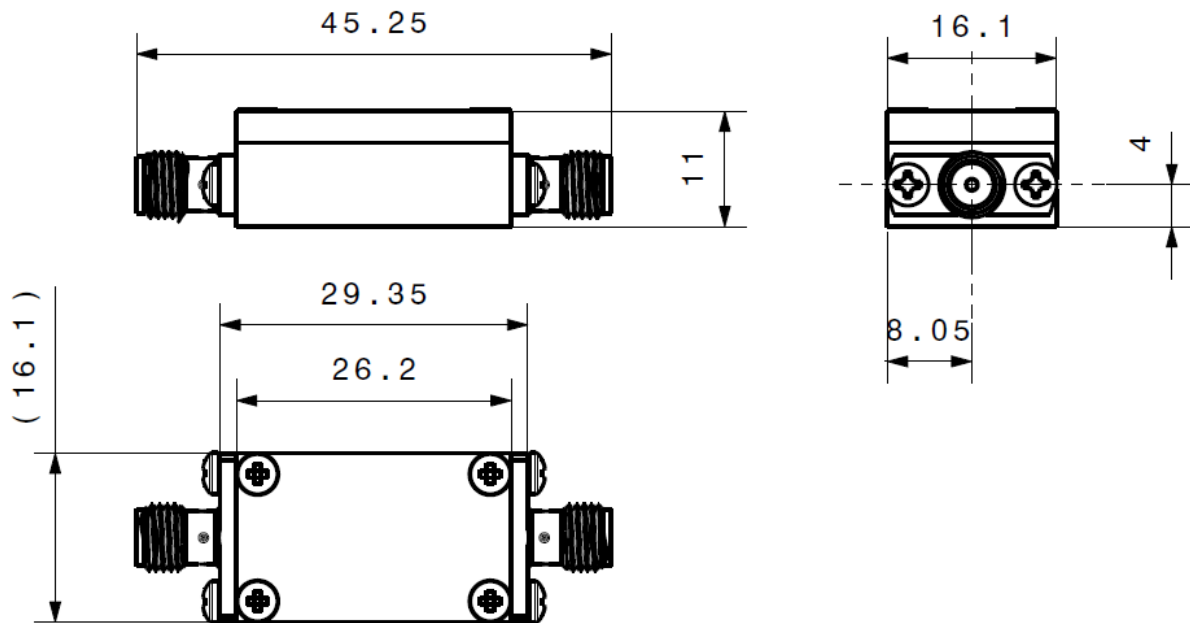


SPECIFICATIONS

Parameter		Frequency Range	Min	Typ	Max
Passband	Insertion Loss	DC to 2850 MHz		0.5 dB	1.0 dB
	Return Loss	DC to 2850 MHz		20 dB	18 dB
	Power Handling	DC to 2850 MHz		20W	150W(peak)
Stopband	Attenuation	4400-10000MHz	45 dB	40 dB	

Other specifications available upon request.

MECHANICAL



Designed and Manufactured in TÜRKİYE

ASARTECH ARGE TASARIM MÜHENDİSLİK

Sanayi Mahallesi, Teknopark Bulvarı, Teknopark İstanbul 1/1A Blok Zemin Kat No:215-216-217, 34906 Pendik, İSTANBUL/TURKİYE
Phone: 0(216) 514 57 97 Fax:0 (216) 514 57 97

Üniversiteler Mahallesi, 1596. Cadde Hacettepe Teknokent 4. ARGE Binası 95A Kat:3 No:50, 06800 Beytepe Çankaya
ANKARA/TÜRKİYE Phone: 0(312) 227 00 37

www.asartech.com.tr
info@asartech.com.tr

IMPORTANT

- Specifications subject to change without further notice.
- Data given in this document provides its typical performance. Actual device performance is guaranteed by specifications called out by “customer-specific” part number and the associated acceptance test procedure.