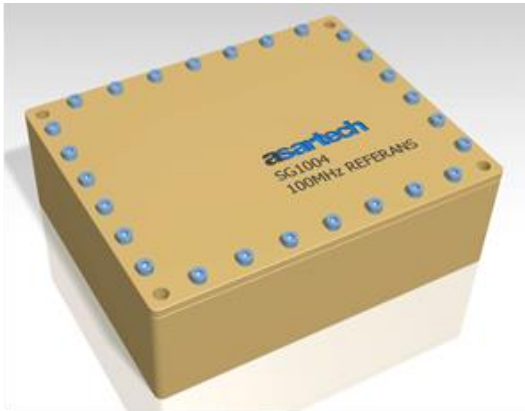


SG1004



LOW NOISE, STABLE FREQUENCY REFERENCE



DESCRIPTION

SG1004 is an ultra-stable, ultra-low noise frequency reference. It consists of a low noise 100MHz Voltage Controlled Crystal Oscillator (VCXO), locked to a stable Oven Controlled Crystal Oscillator (OCXO).

Device consumes 5W during warm-up of 5 minutes and settles at 2.5W at steady state at 20°C ambient temperature.

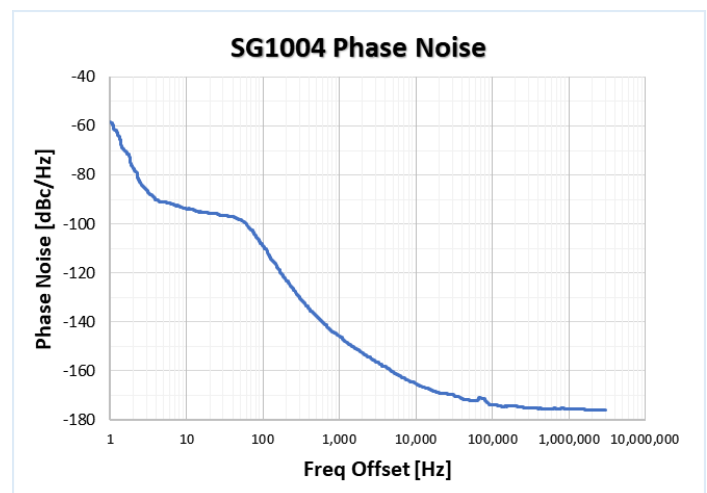
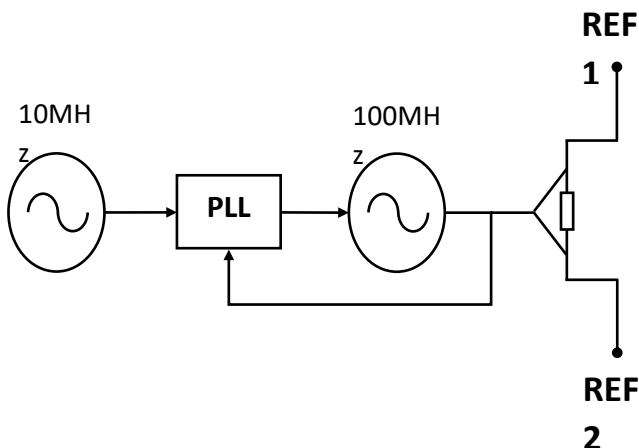
FEATURES

- Sinewave output
- Ultra Temperature Stable
- Very Low Ageing
- Ultra Low Phase Noise

SPECS AT A GLANCE

- 100MHz fixed output
- 2ppb Stability within 0 to 50°C
- 30ppb/year Ageing
- Ultra Low Phase Noise
 - -140dBc/Hz @ 10kHz
 - -165dBc/Hz @ 1MHz

BLOCK DIAGRAM

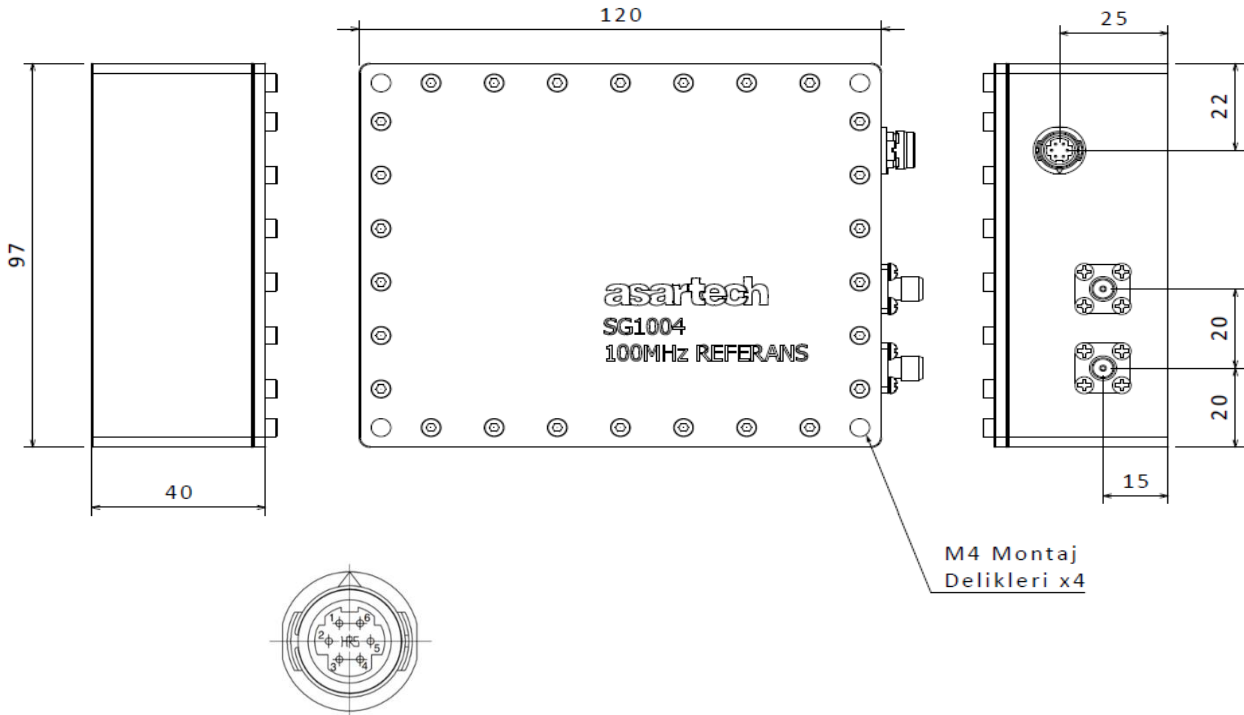


SPECIFICATIONS

Parameter	Limit
REF outputs Freq	100MHz
REF outputs Level	5dBm \pm 2dB
Temperature Stability	\pm 2ppb within 0 to 50°C
Ageing / day	0.5ppb typ
Ageing / year	30ppb typ
Output Phase Noise	-140dBc/Hz @ 10kHz -165dBc/Hz @ 1MHz
DC Power Consumption	5W max during warmup 2.5W typ at steady state
Operational Temp Range	5°C to 65°C (NOTE-1)
Storage Temp Range	0°C to 125°C (NOTE-1)
DC Input Voltage – 18V	24V max
DC Input Voltage – 6V	10V max
DC Input Current	0.5A max @ 18V 0.2A max @ 6V

NOTE-1: It is assumed that the device will sit within a rack unit inside a conditioned cabinet. Consult factory for conditions otherwise.

MECHANICAL



Hirose HR30-6R-6P Panel mount Connector

Designed and Manufactured in TÜRKİYE

ASARTECH ARGE TASARIM MÜHENDİSLİK

Sanayi Mahallesi, Teknopark Bulvarı, Teknopark İstanbul 1/1A Blok Zemin Kat No:215-216-217, 34906 Pendik, İSTANBUL/TURKİYE
Phone: 0(216) 514 57 97 Fax:0 (216) 514 57 97

Üniversiteler Mahallesi, 1596. Cadde Hacettepe Teknokent 4. ARGE Binası 95A Kat:3 No:50, 06800 Beytepe Çankaya
ANKARA/TÜRKİYE Phone: 0(312) 227 00 37

www.asartech.com.tr
info@asartech.com.tr

IMPORTANT

- Specifications subject to change without further notice.
- Data given in this document provides its typical performance. Actual device performance is guaranteed by specifications called out by “customer-specific” part number and the associated acceptance test procedure.

