



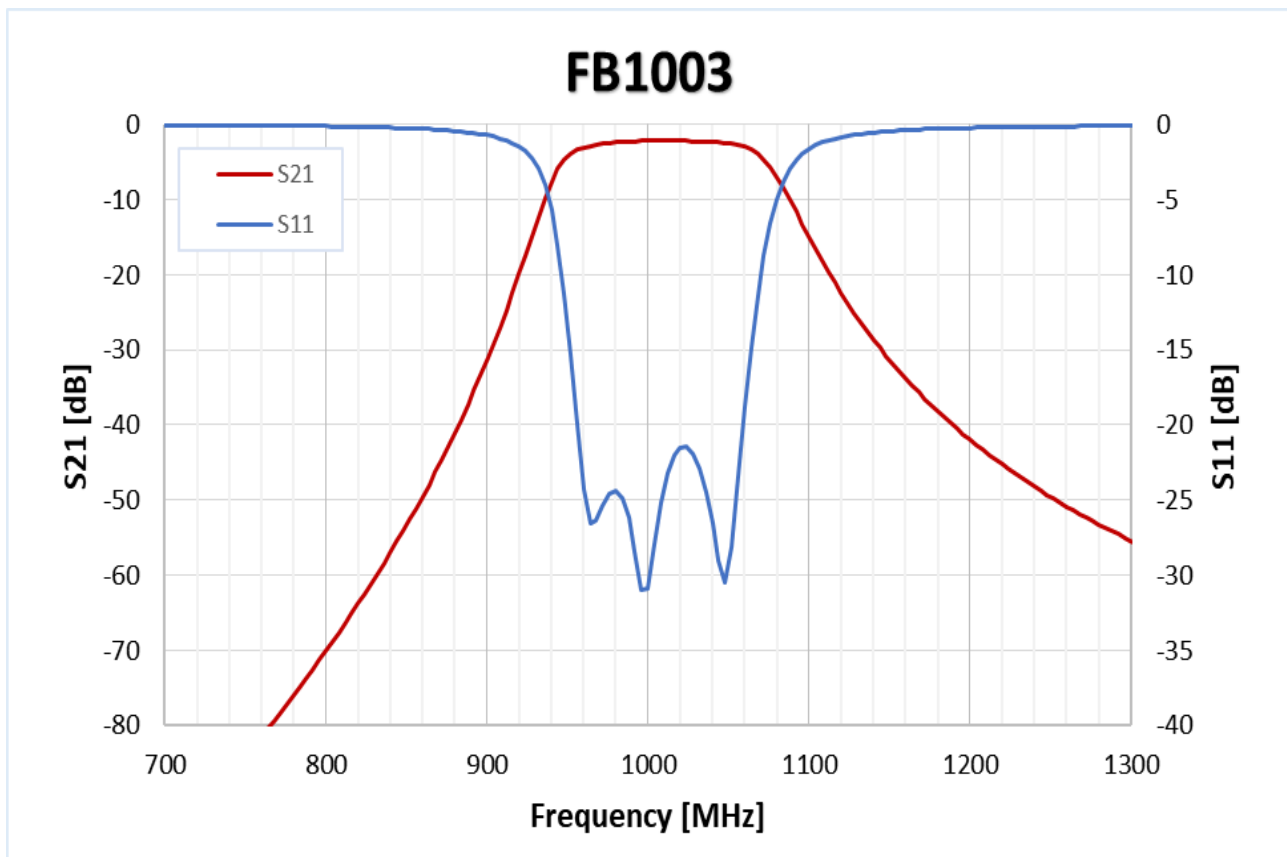
# FB1003

## 1 GHz BANDPASS FILTER



### DESCRIPTION

FB1003 is a general purpose 1GHz bandpass filter. It's a lumped element filter housed in a standard Asartech FG1002 housing, i.e., 39.25 x 16.7 x 11mm aluminum box. The input and output connectors are standard SMA. The unit is intended for narrowband applications up to 100MHz, as well as harmonic filtering for fixed 1GHz reference frequency sources.

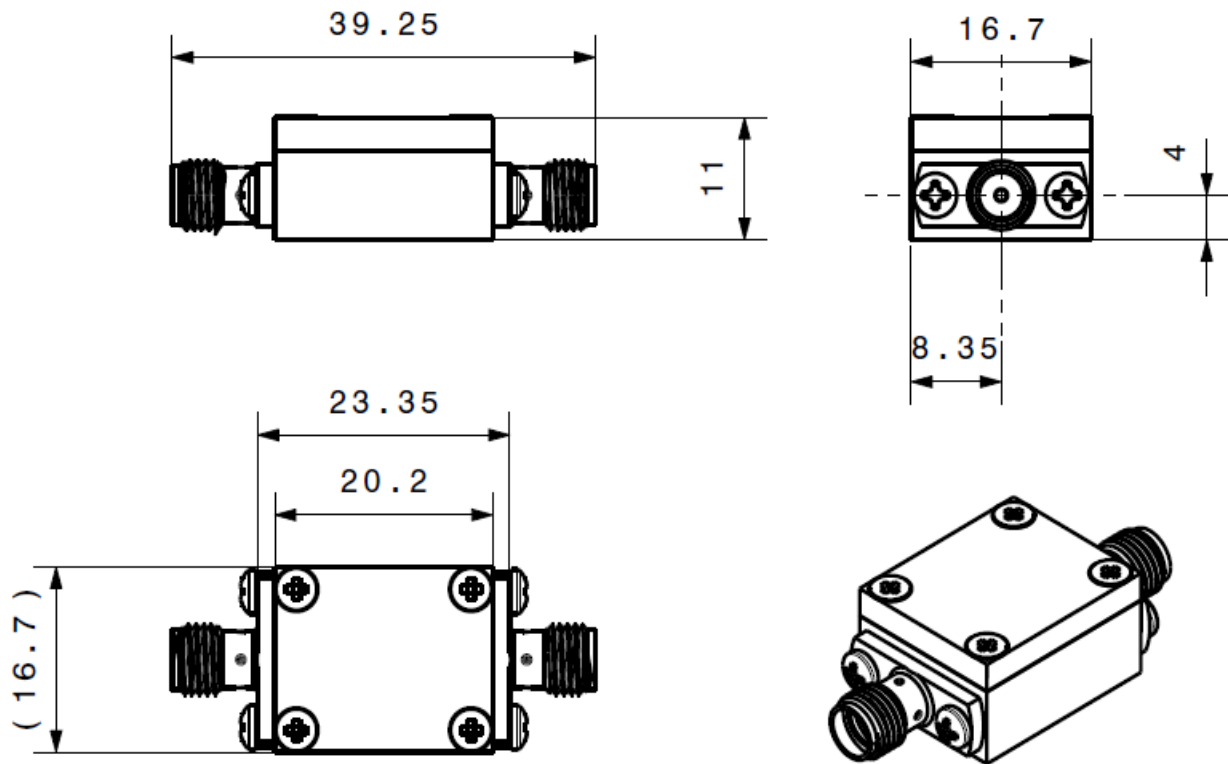


## SPECIFICATIONS

Parameter		Frequency Range	Min	Typ	Max
Passband	Insertion Loss	950-1050 MHz		2.5dB	4dB
	Return Loss	950-1050 MHz		20dB	18dB
	Power Handling	950-1050 MHz			1W
Stopband	Attenuation	DC - 800MHz	60dB	70dB	
	Attenuation	1200-3000MHz	35dB	40dB	

Other specifications available upon request.

## MECHANICAL



## Designed and Manufactured in TÜRKİYE

### **ASARTECH ARGE TASARIM MÜHENDİSLİK**

Sanayi Mahallesi, Teknopark Bulvarı, Teknopark İstanbul 1/1A Blok Zemin Kat No:215-216-217, 34906 Pendik, İSTANBUL/TURKİYE  
Phone: 0(216) 514 57 97 Fax:0 (216) 514 57 97

Üniversiteler Mahallesi, 1596. Cadde Hacettepe Teknokent 4. ARGE Binası 95A Kat:3 No:50, 06800 Beytepe Çankaya  
ANKARA/TÜRKİYE Phone: 0(312) 227 00 37

[www.asartech.com.tr](http://www.asartech.com.tr)  
[info@asartech.com.tr](mailto:info@asartech.com.tr)

### **IMPORTANT**

- Specifications subject to change without further notice.
- Data given in this document provides its typical performance. Actual device performance is guaranteed by specifications called out by “customer-specific” part number and the associated acceptance test procedure.